



Clark County Building and Fire Prevention Field Inspection Division FIELD INSPECTION GUIDELINE

Division:	Inspections	Policy & Procedure:	FIG-E-012
Subject:	NV Energy Requirements	Effective Date:	05/01/2007
Code:	NV Energy Distribution Standards	Revised Date:	10/01/2020
Proposed:	Matthew Brewer	Approved:	Sam Palmer

Interpretation:

Electrical services shall meet the serving utility's standards in addition to NEC requirements.

NV Energy Main Web Page:

<https://www.nvenergy.com/business/building-and-new-construction/electric-service-standards-south>

Field Application:

The following standards, as provided by NV Energy, are to be included as part of the inspection process:

- [RPI-2](#) - Working space at meter enclosures shall extend 36 inches from the front of the meter enclosure, with a clear height of not less than 78 inches. The width of clear space shall be not less than 36 inches with a minimum 10 inches from the side of the service enclosure to the nearest obstruction or wall. See Figure 5.
- [RPI-2](#) - There shall be a minimum clearance of 36 inches horizontally from the side of the electric meter panel to the nearest edge of a gas meter. See Figure 6.
- [RPI-2](#) - The meter serving a new single-family dwelling shall be mounted on the front of the building facing the serving line, or on an adjacent side within 10 feet of the front of the building. See Figure 1, There are other Figures on the NV Energy Web Page.
- [RPI-2](#) - The meter height for single meter services shall be not less than 48 inches to center and not more than 75 inches to center from the standing surface. See Figure 5.
- [RR-2](#) - Overhead service conduit shall be RGS or IMC with a minimum size of 2 inches and a maximum 30-inch service mast without bracing. If properly braced, the maximum service height may be increased to 60 inches. Service conductors must extend a minimum of 18 inches from the weather head. See BUILDING CLEARANCE SERVICE DETAIL
- [US0001M](#) - NV Energy Underground Electrical Residential Service requirements.

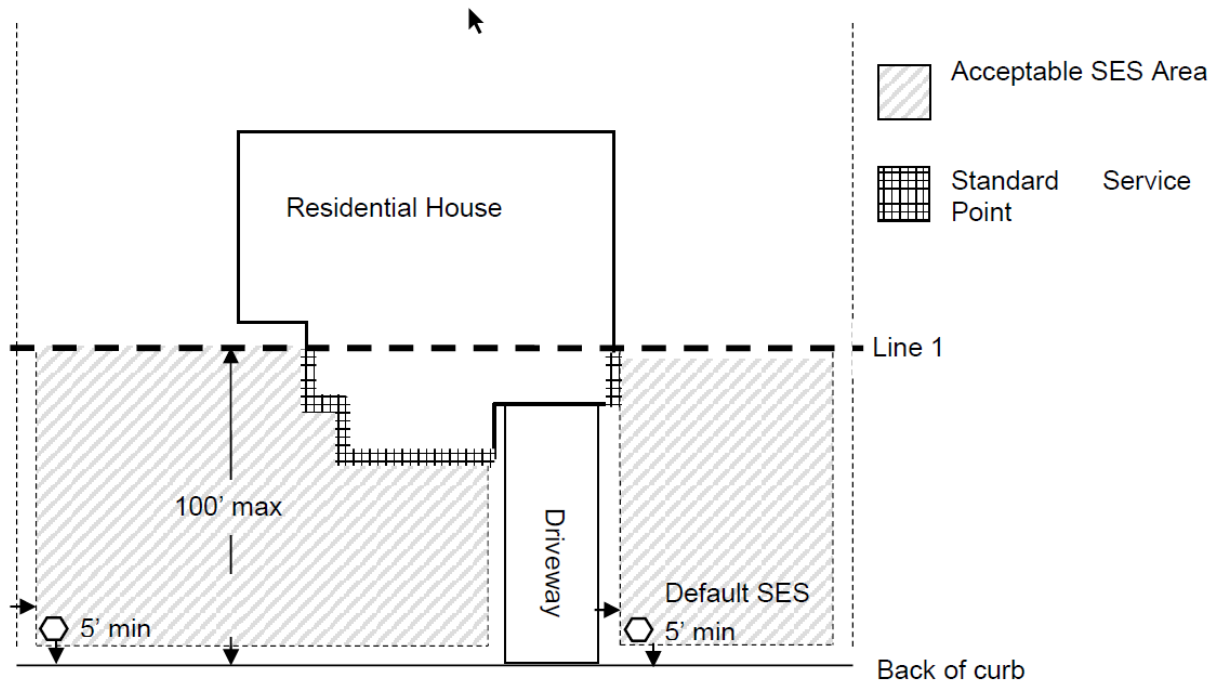


Figure 1. Locating the Standard Service Point

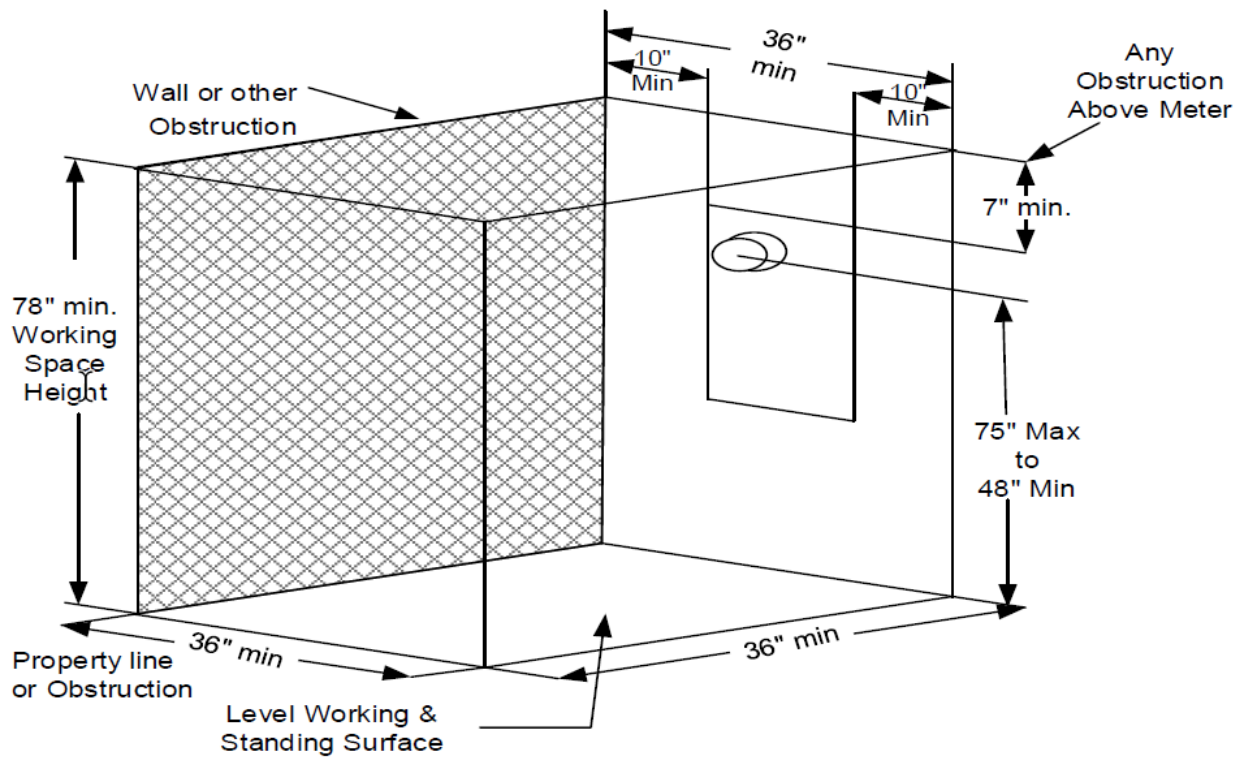


Figure 5. Safe Work Space and Clearances Around the Meter

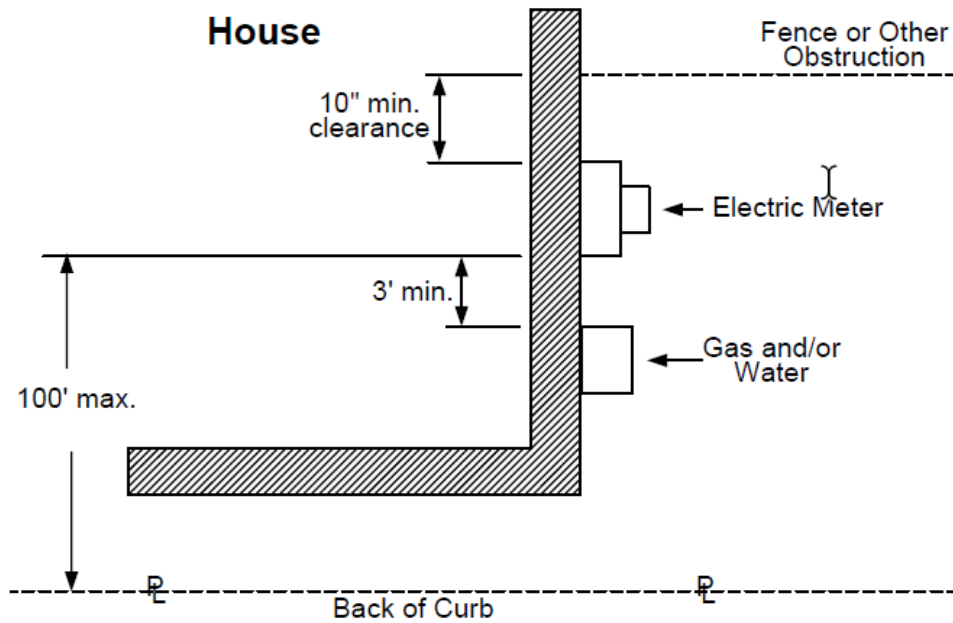


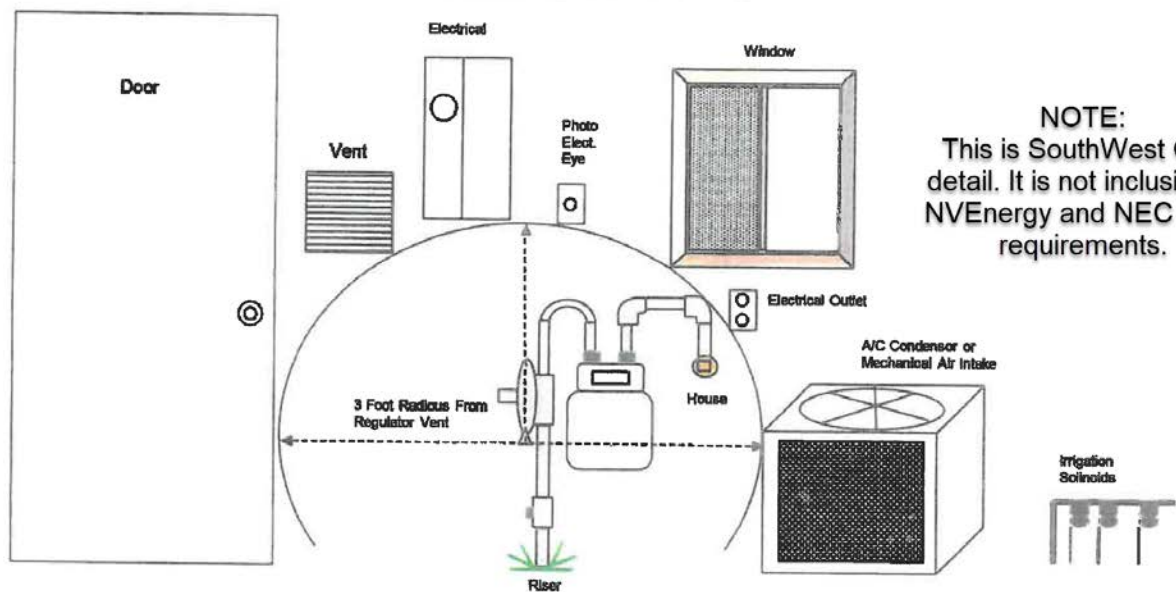
Figure 6. Clearances Around the Meter



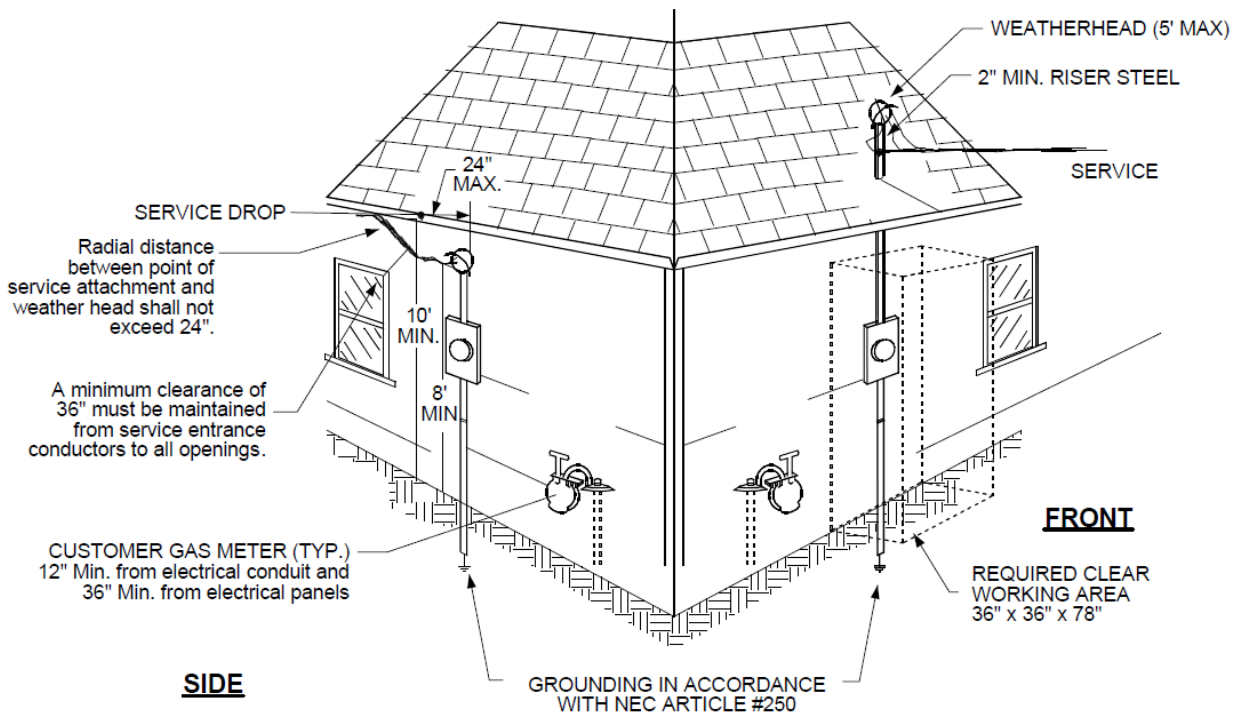
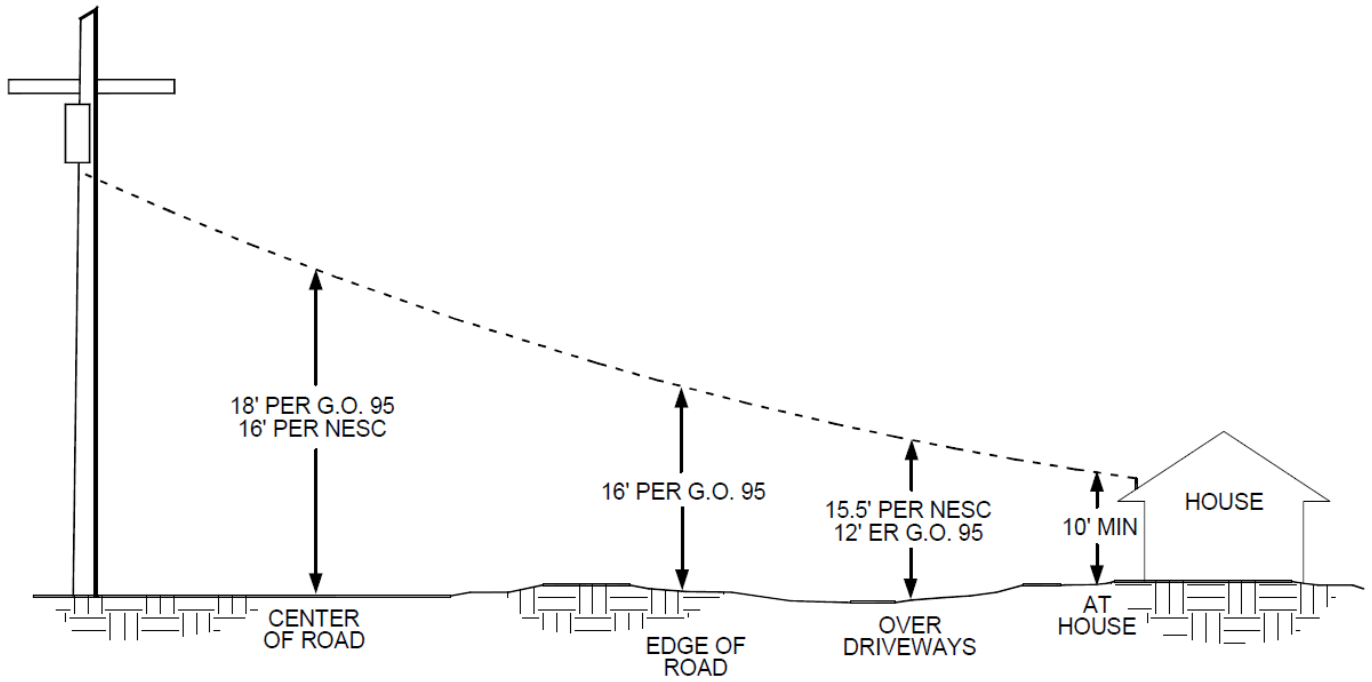
SOUTHWEST GAS CORPORATION

Gas Meter Installation Requirements

Regulator Vent Clearance Requirements



NOTE:
This is SouthWest Gas detail. It is not inclusive to NVEnergy and NEC code requirements.



ALL SERVICE EQUIPMENT SHALL BE MADE RAIN-TIGHT BY APPROVED FITTINGS

BUILDING CLEARANCES SERVICE DETAILS